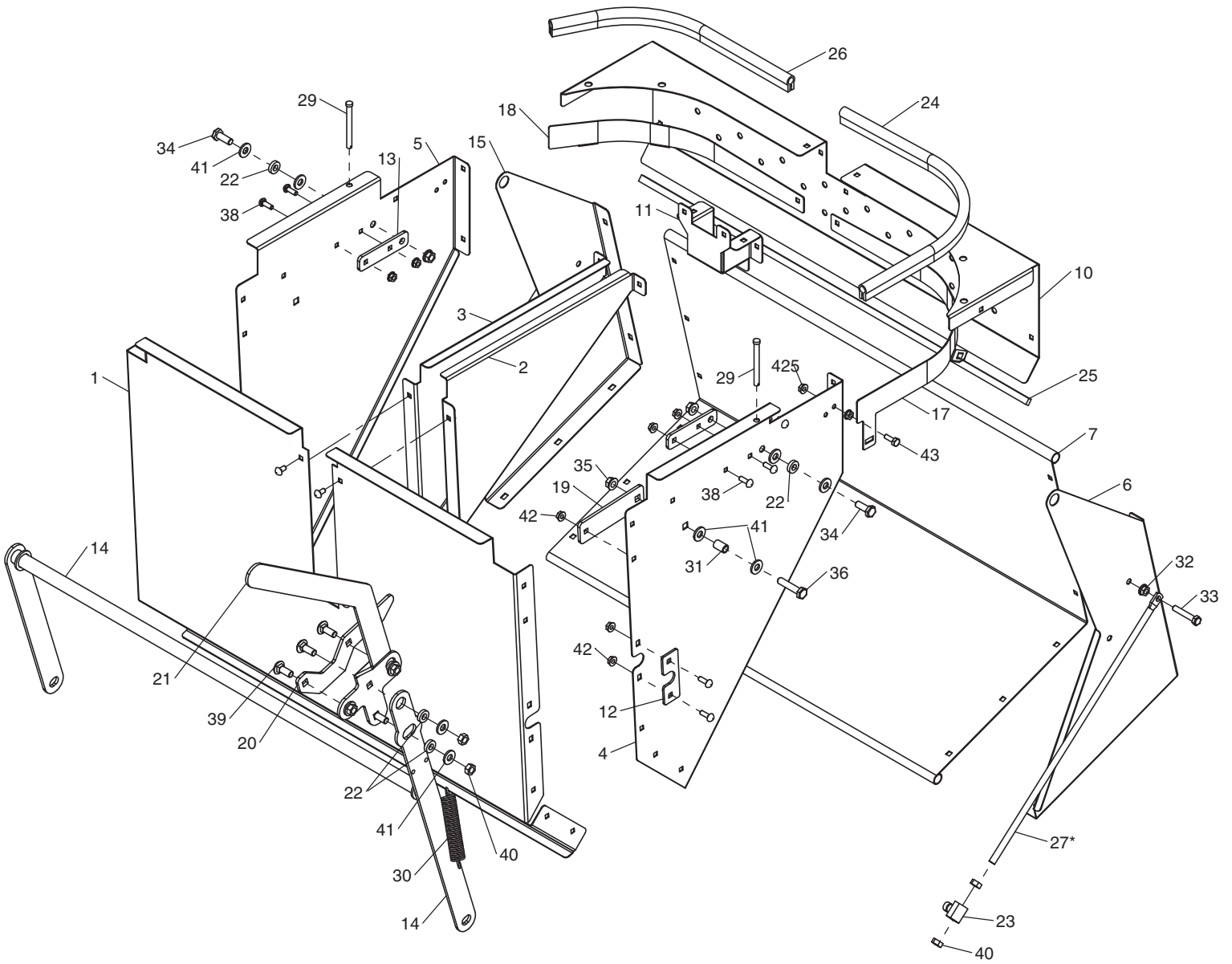


MCS 7 & 8 Attachment - Dump from Seat

PIN Prefixes:	Model Number	Description	PIN Prefix
	LP47168	MCS 7 Attachment - Dump From Seat	
	LP47169	MCS 8 Attachment - Dump From Seat	



MCS 7 & 8 Attachment - Dump from Seat

ITEM #	PART #	DESCRIPTION	QTY.
1	ST48101	Front Sheet	1
2	ST48103	Center Brace LH	1
3	ST48102	Center Brace RH	1
4	ST48104	Left Side 7,8	1
5	ST48105	Right Side 7,8	1
6	ST48129L	Rear Side LH 8	1
6	ST48145L	Rear Side LH 6 & 7	1
7	ST48128	Tailgate 8	1
7	ST48143	Tailgate DFS 6 & 7	1
10	ST48137	Top Cross Support	1
11	ST48139	Latch Brace	1
12	ST48110	Tube Brace	2
13	ST48133	Pivot Reinforcement	2
14	ST48136	Lever WA 6,7,8	1
15	ST48129R	Rear Side RH 8	1
15	ST48145R	Rear Side RH 6,7	
17	ST48144L	Seal Support	1
18	ST48144R	Seal Support RH	1
19	ST48170	Latch Brace	1
20	ST48168	Latch	1
21	ST48169	Handle	1
22	ST48176	Plastic Washer	6
23	ST48174	Trunnion	2

ITEM #	PART #	DESCRIPTION	QTY.
24	ST48177	Top Seal 24"	1
25	ST48166	Rear Seal	1
26	ST48175	Top Seal 18"	1
27	ST48153	Lift Rod DFS 8 & 14, 7	2
27*	ST48153*	Lift Rod DFS 7 (before 2018)	2
29	ST43402	Hinge Pin	2
30	ST50223	Spring	1
31	ST43725	Spacer	1
32	ST65008	5/16 Flange Nut	4
33	ST65090	5/16 x 1-3/4 Hex Bolt	2
34	ST65088	3/8 x 1 Hex Bolt	2
35	ST65012	3/8 Flange Nut	3
36	ST65091	3/8 x 1-3/4 Hex Bolt	1
37	ST65085	1/4 x 1/2 C.B. Short Neck	43
38	ST65053	1/4 x 3/4 Carriage Bolt	9
39	ST65013	3/8 x 1 Carriage Bolt	4
40	ST65018	3/8 Nut	6
41	ST65003	3/8 Flat Washer	10
42	ST65073	1/4" Flange Nut	54
43	ST65093	1/4"x3/4" Bolt	1

*If ordering a Lift Rod (item 27) for DFS 7 built before 2018, will need two new lift rods to ensure they are the same length